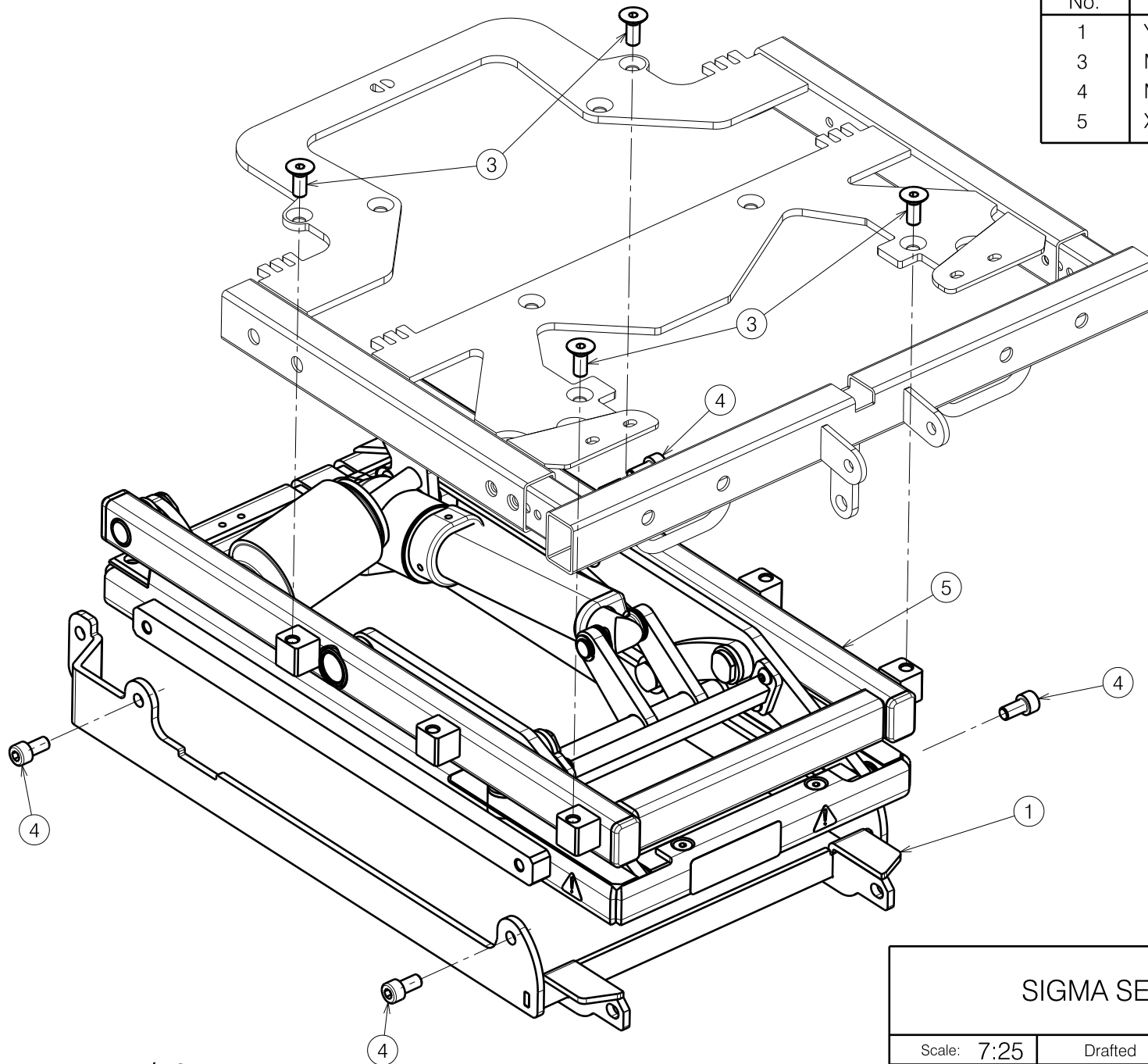


Material			
No.	Plan	Article	Quantity
1	Y023552	2063254	1
3	M8x20 DIN7991	1903136	4
4	M8x16 DIN912	1915411	4
5	X005843	1915143	1



E001118 / C

<h3>SIGMA SE43 SEAT TILT 50°</h3>				Plan No.
				E001118 / C
Scale: 7:25	Drafted	Verified	Confirmed	
Date	25/10/2018	21/11/2019	21/11/2019	
Initials	SD	SD	PJ	