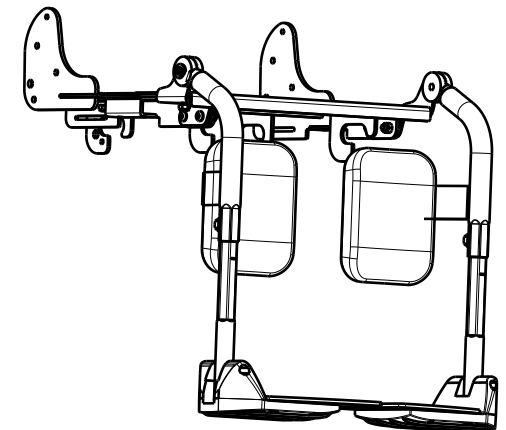
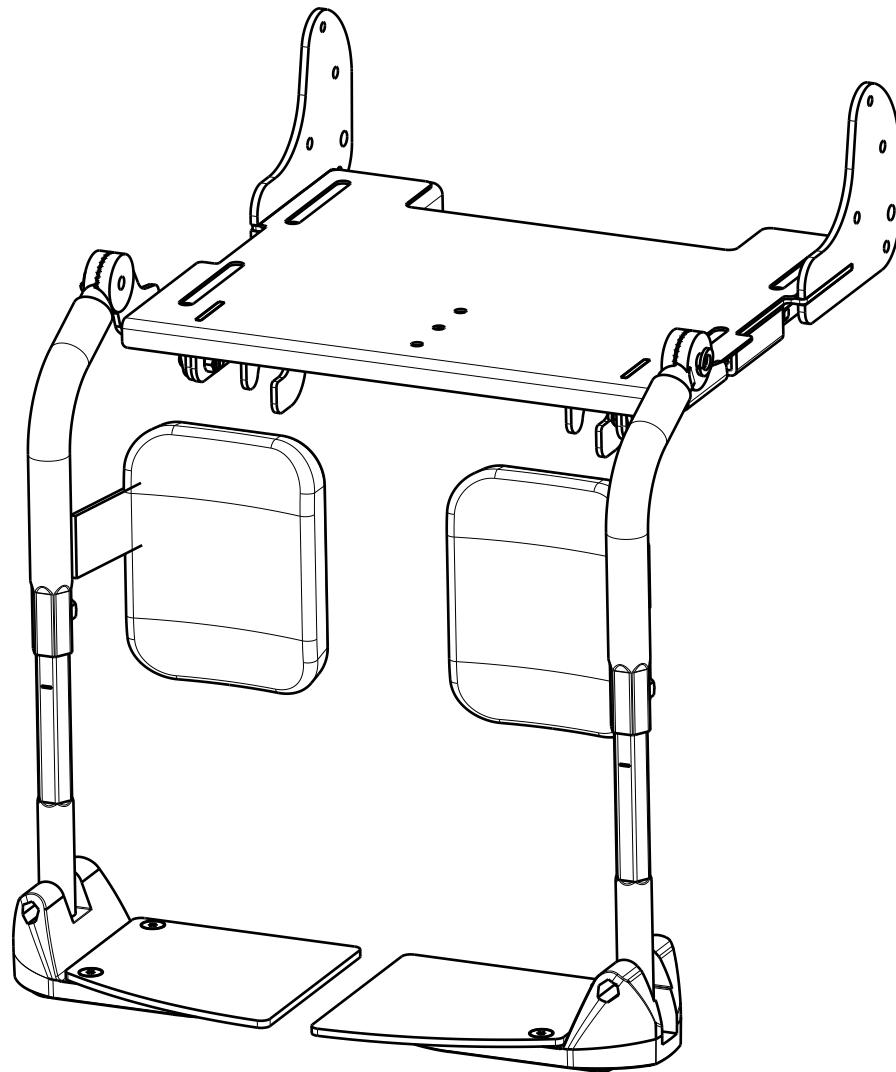


Isometric view  
Scale: 1:8



EP00196 / B

B08 ADJUSTABLE LEGREST   GEMINI 2/32; BAYO 32				Plan No. EP00196/ B
Scale: 1:4	Drafted	Verified	Confirmed	
Date	03/12/2014	10/11/2021	10/11/2021	
Initials	AZ	BS	TK	



Material

No.	Plan	Article	Quantity
1	YP05014	28971...	1
2	YP05016	28973...	1
3	YP05017	28972...	1
4	YP05022	28975...	1
5	YP05023	28974...	1
6	YP05026	28976...	2
7	YP05028	28977...	1
8	YP05029	28978...	1
9	X000586	1005742	4
10	X003779	1900228	2
11	XP00007	2990000	2
12	D6,4 DIN 125 A	1001564	22
13	M8 DIN 127A	1001570	2
14	M6 DIN 985	1001680	14
15	M6x20	1006999	4
16	M8x10 DIN 916/45H	1008942	2
17	M6x16 DIN 7991/8.8	1994752	4
18	M6x16	1008459	4
19**	Lever M8x15	1006661	2
*	Star Knob M8x17	1902618	2
20	M6x25 DIN 912/8.8	1001494	4
21	M6x45 DIN 912/8.8	1003109	2

\* - not depicted / nie ujeto

19\* - Lever M8x15 use for BAYO 32

Star Knob M8x17 for GEMINI 2/32

EP00196 / B

B08 ADJUSTABLE LEGREST				Plan No. EP00196/ B
GEMINI 2/32; BAYO 32				
Scale: 1:4	Drafted	Verified	Confirmed	
Date	03/12/2014	10/11/2021	10/11/2021	
Initials	AZ	BS	TK	