
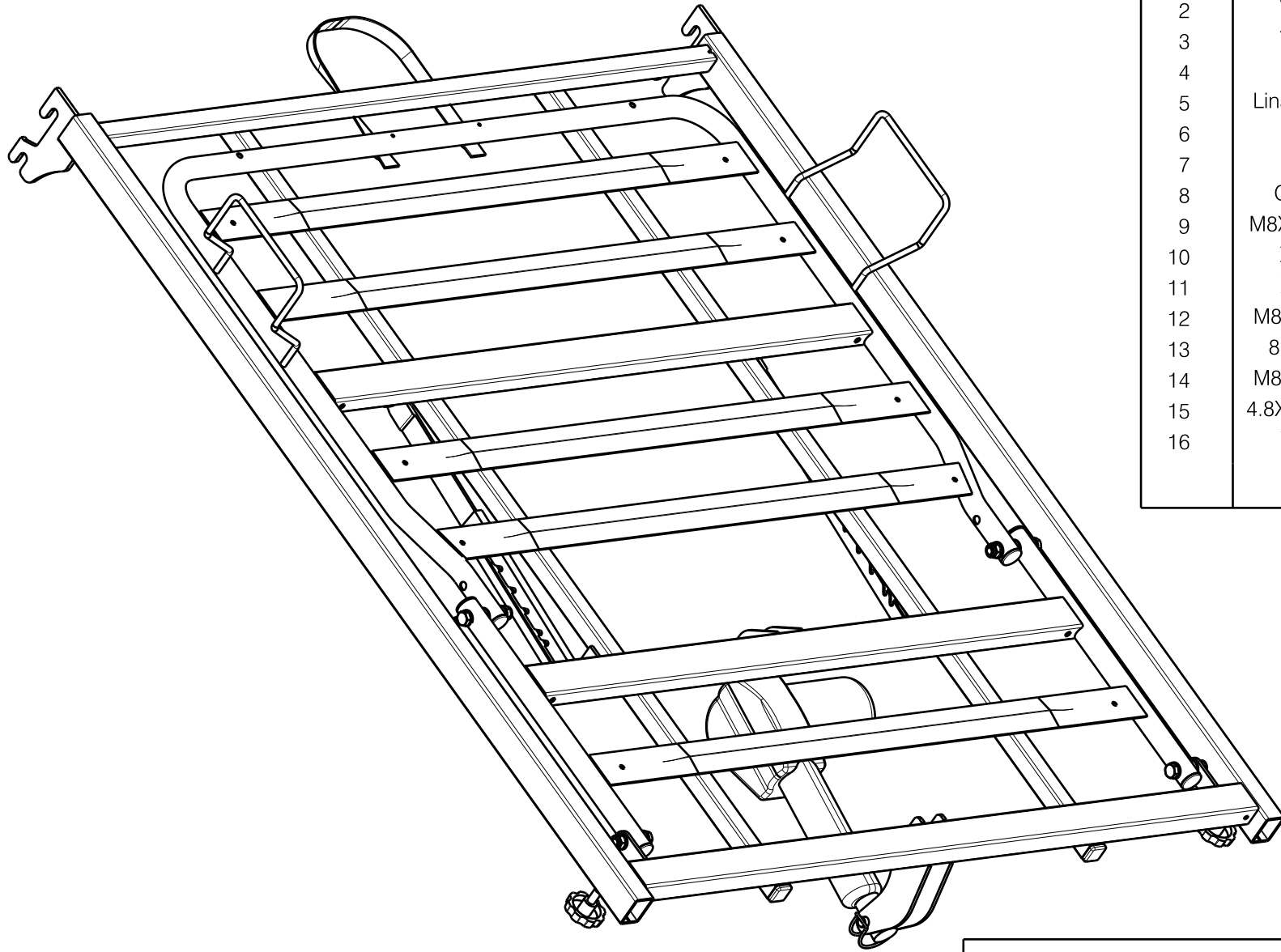


Detail A  
Scale: 1:3


EP00198 / I

<b>FOOT SIDE 997</b> (Luna 2   Luna Basic 2)				Plan No.
				1/2 EP00198 / I
Scale: 1:6	Drafted	Verified	Confirmed	
Date	26/03/2015	14/09/2020	14/09/2020	
Initials	AS	PM	TK	



Material			
No.	Plan	Article	Quantity
1	YP05064 DP	2899037	1
2	YP05106	2899637	1
3	YP05078	2899737	1
4	---	1909002	2
5	Linak motor 50	1996202	1
6	---	1998885	2
7	M8x16	2990074	2
8	Cup20x20	1001612	4
9	M8X25 DIN 933	1001442	2
10	XP02064	2993688	6
11	X001016	1001682	8
12	M8x60 DIN931	2993704	2
13	8.4X17X1.6	1003199	24
14	M8x40 DIN931	2993705	2
15	4.8X19 DIN7983	1001534	2
16	Y012035	H810065	1

EP00198 / I

<b>FOOT SIDE 997</b> (Luna 2   Luna Basic 2)				Plan No.
2/2				EP00198 / I
Scale: 1:6	Drafted	Verified	Confirmed	
Date	26/03/2015	14/09/2020	14/09/2020	
Initials	AS	PM	TK	