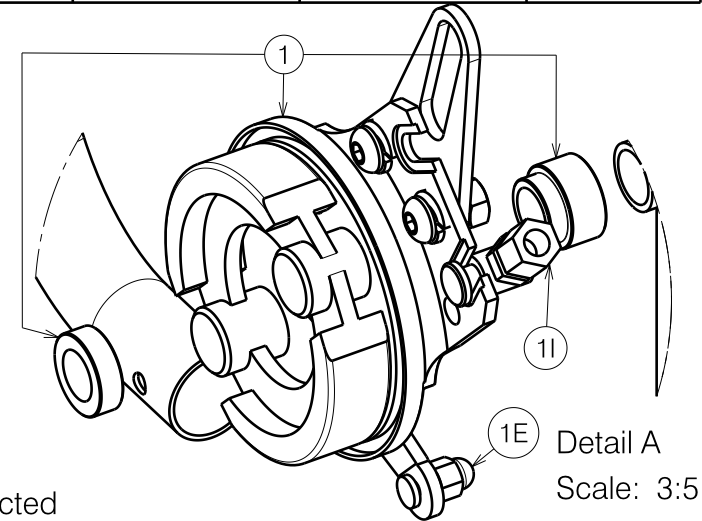



Material			
No.	Plan	Article	Quantity
1	---	3991300 (Side A)	1
	---	3991301 (Side B)	1
1A	M12 DIN985	1001684	2
1B	Ø22	1994012	2
1C	125CM	1004094	2x0.5m
1D	---	1993218	2
1E	M5	1991919	2
1F	---	1004109	2
1G	M12 DIN125 B	1001561	2
1H	M12x140 DIN931	1995996	2
1I	M6x30+fixed pin	3992134	2
2	Y001772	1760900	2
3	M6x45 DIN912/8.8	1003109	2
4	---	1905239	2
5	XP00334	2990263 (Left)	1
	XP00335	2990264 (Right)	1
6	Ø4x14	1001584	2
7	X003801	1900365	2
8	M6	1904135	2
9	M6x12	1008492	2



Only left side depicted

7 1A
E000938 / E

B74 R708D FIXED AXLE				Plan No. E000938 / E
B74 R708D VASTE AS				
Scale: 3:10	Drafted	Verified	Confirmed	
Date	12/06/2013	14/09/2015	14/09/2015	
Initials	TT	TT	PJ	