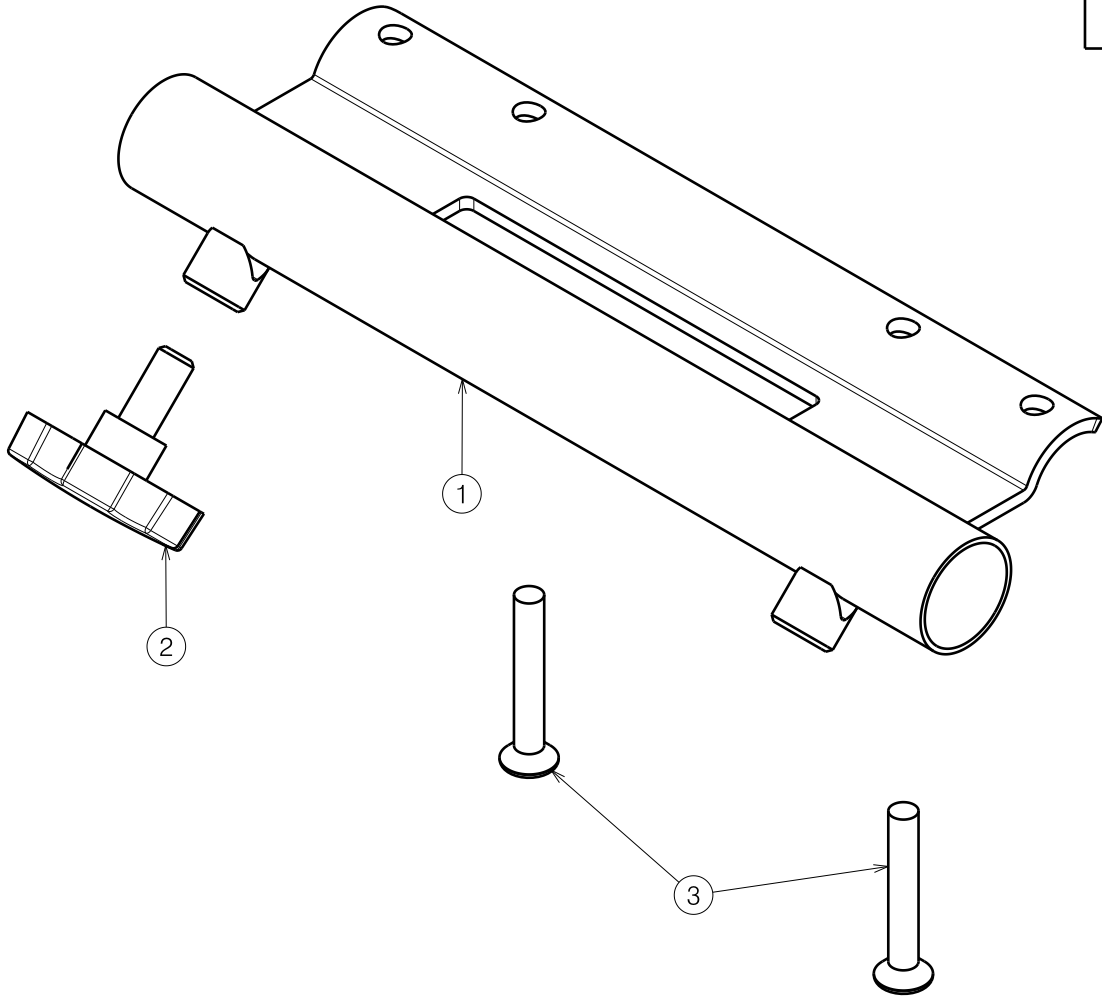


Material PL			
No.	Plan	Article	Number
1	Y018970	1779054	1
2	---	2990024	1
3	---	1009803	2



B13 708D ECLIPS JAZZ			Plan No. / Plannr.
B13 708D ECLIPS JAZZ			E000494/C
Scale / Schaal: 1:3	Drafted / Getekend	Verified / Nagezien	Confirmed / Bevestigd
Date / Datum	27/08/2008	16/04/2013	16/04/2013
Init. / Init.	JS	TT	PJ

