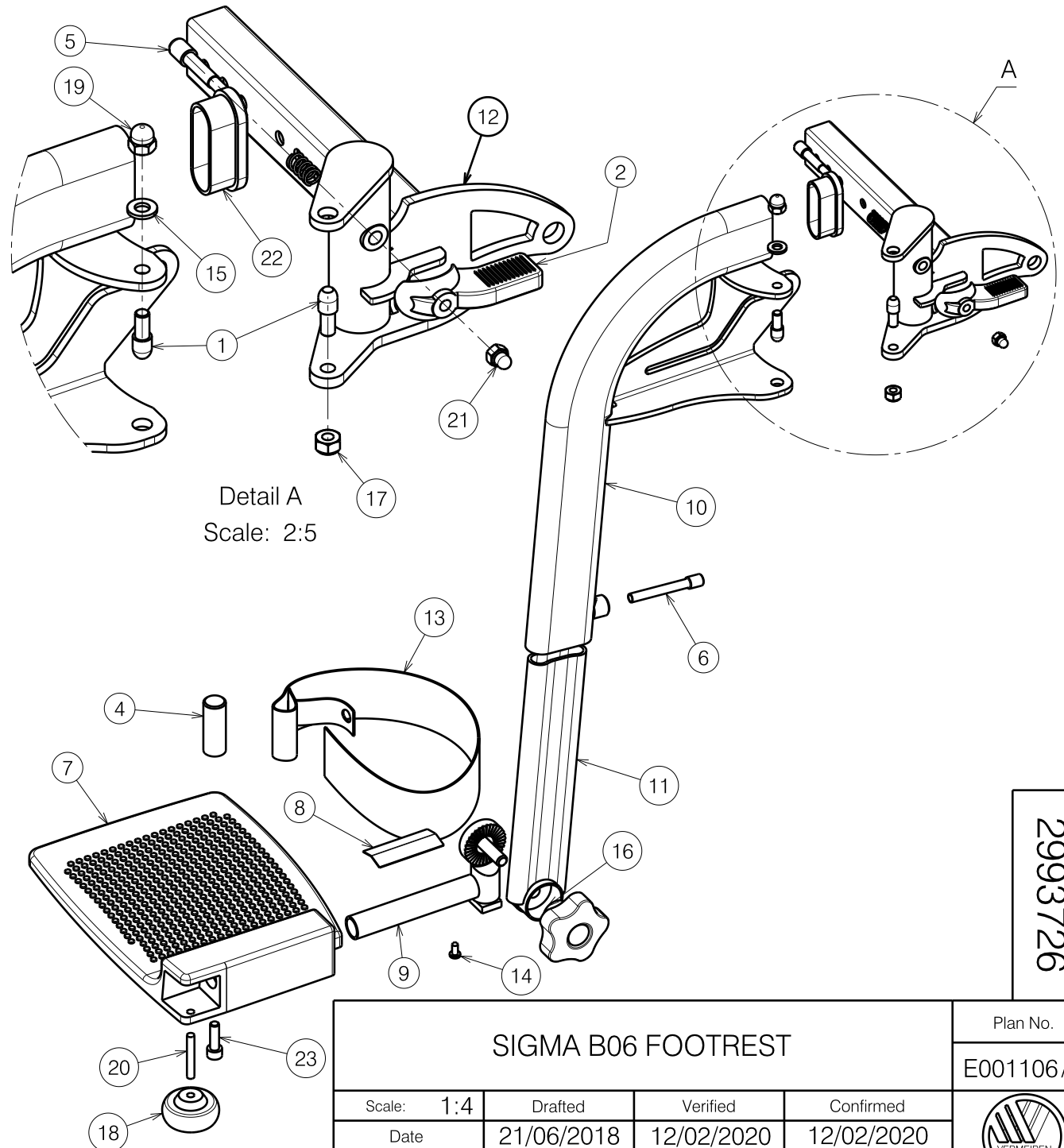


Material			
No.	Plan	Article	Quantity
1	X000227	1465200	4
2	X002126	1992429	2
3	X002169	1992791	2
4	XC00134	3992885	2
5	X004360	G080000	2
6	X005133	1787000	2
7	Medium	1627404 (L)	1
	Medium	1627504 (R)	1
	Small	1627204 (L)	1
	Small	1627304 (R)	1
	Large	1627004 (L)	1
	Large	1627104 (R)	1
8	Y000593	F000193	2
9	Y002942	1409300 (L)	1
	Y002943	1409400 (R)	1
10	Y019293	17866.. (L)	1
	Y019298	17867.. (R)	1
11	Y019296	1786800 (L)	1
	Y019314	1786900 (R)	1
12	Y019772	1792554 (L)	1
	Y019774	1792654 (R)	1
13	Small	1992802	2
	Large	1992803	2
14	D3,9x9,5 DIN7981	1001530	2
15	M6 DIN125	1001564	2
16	D50xM8	1001581	2
17	M6 DIN985	1001680	2
18	X005901	1915961	2
19	M6 DIN986	1008492	2
20	X003590	1003917	2
21	M5 DIN986	1992804	2
22	48x20	1990980	2
23	M6x20 DIN912	1001493	2

Quantities are for left + right footrest

E001106 / C



2993726

SIGMA B06 FOOTREST				Plan No.
				E001106 / C
Scale: 1:4	Drafted	Verified	Confirmed	
Date	21/06/2018	12/02/2020	12/02/2020	
Initials	SD	TT	PJ	