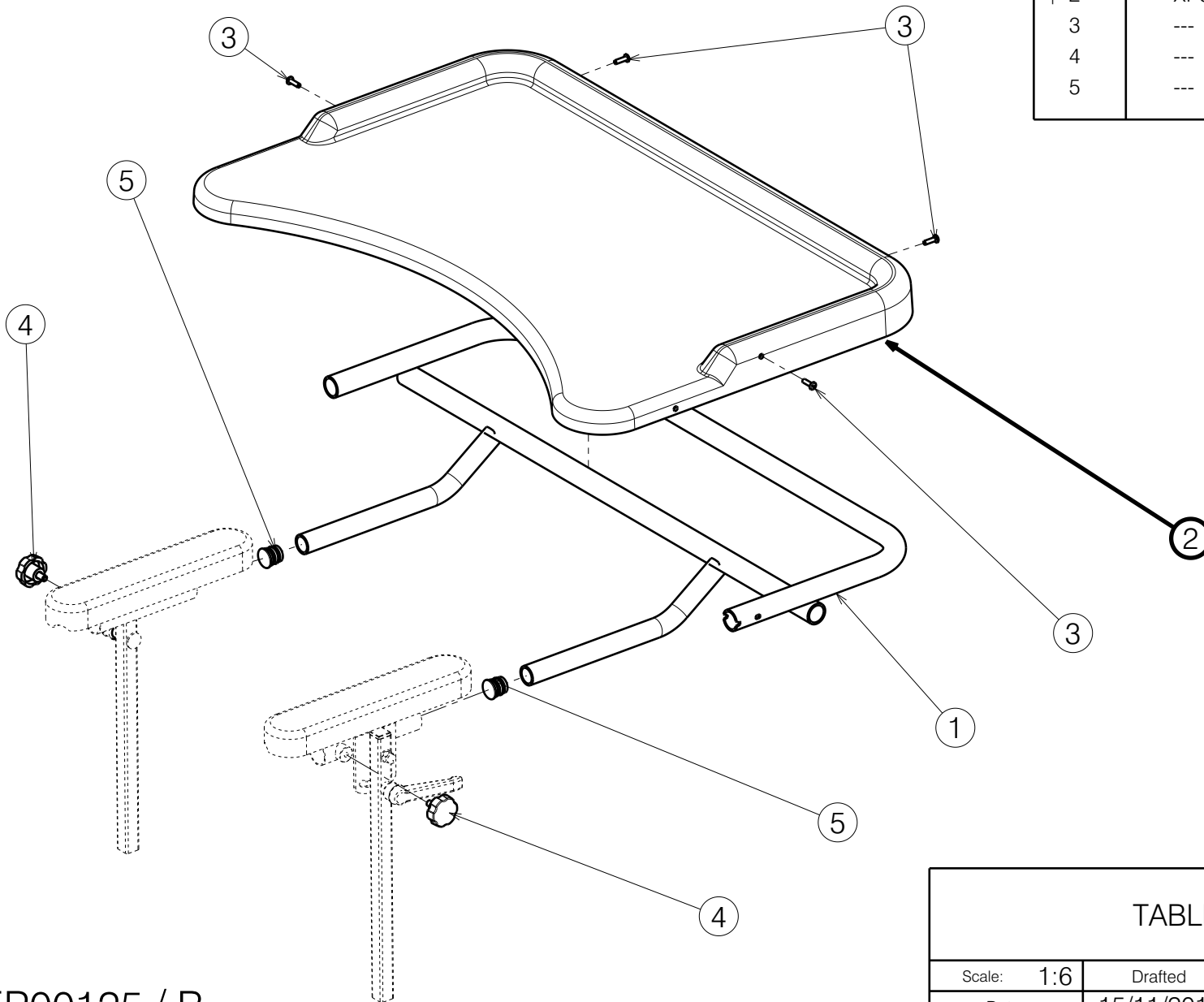


| Material | | | |
|----------|---------|---------|----------|
| No. | Plan | Article | Quantity |
| 1 | YP04531 | 2866554 | 1 |
| | | 2866599 | 1 |
| 2 | XP01338 | 2992968 | 1 |
| 3 | --- | 1001584 | 4 |
| 4 | --- | 1003658 | 2 |
| 5 | --- | 2990095 | 2 |



EP00125 / B

| | | | | |
|---------------|------------|------------|------------|------------|
| TABLE BAYO 32 | | | | Plan No. |
| | | | | EP00125/ B |
| Scale: 1:6 | Drafted | Verified | Confirmed | |
| Date | 15/11/2013 | 03/06/2020 | 03/06/2020 | |
| Initials | WM | AZ | TK | |