
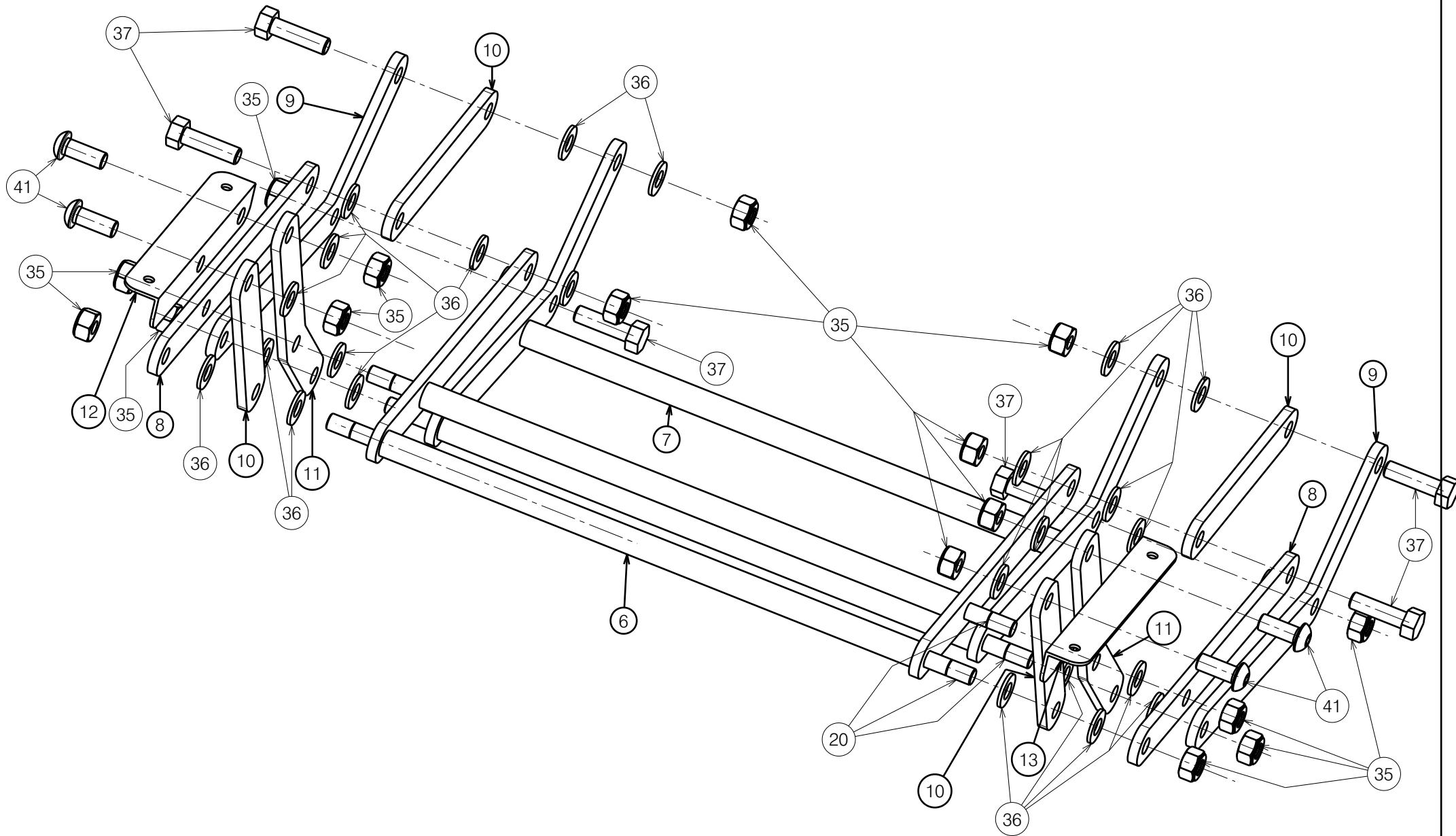


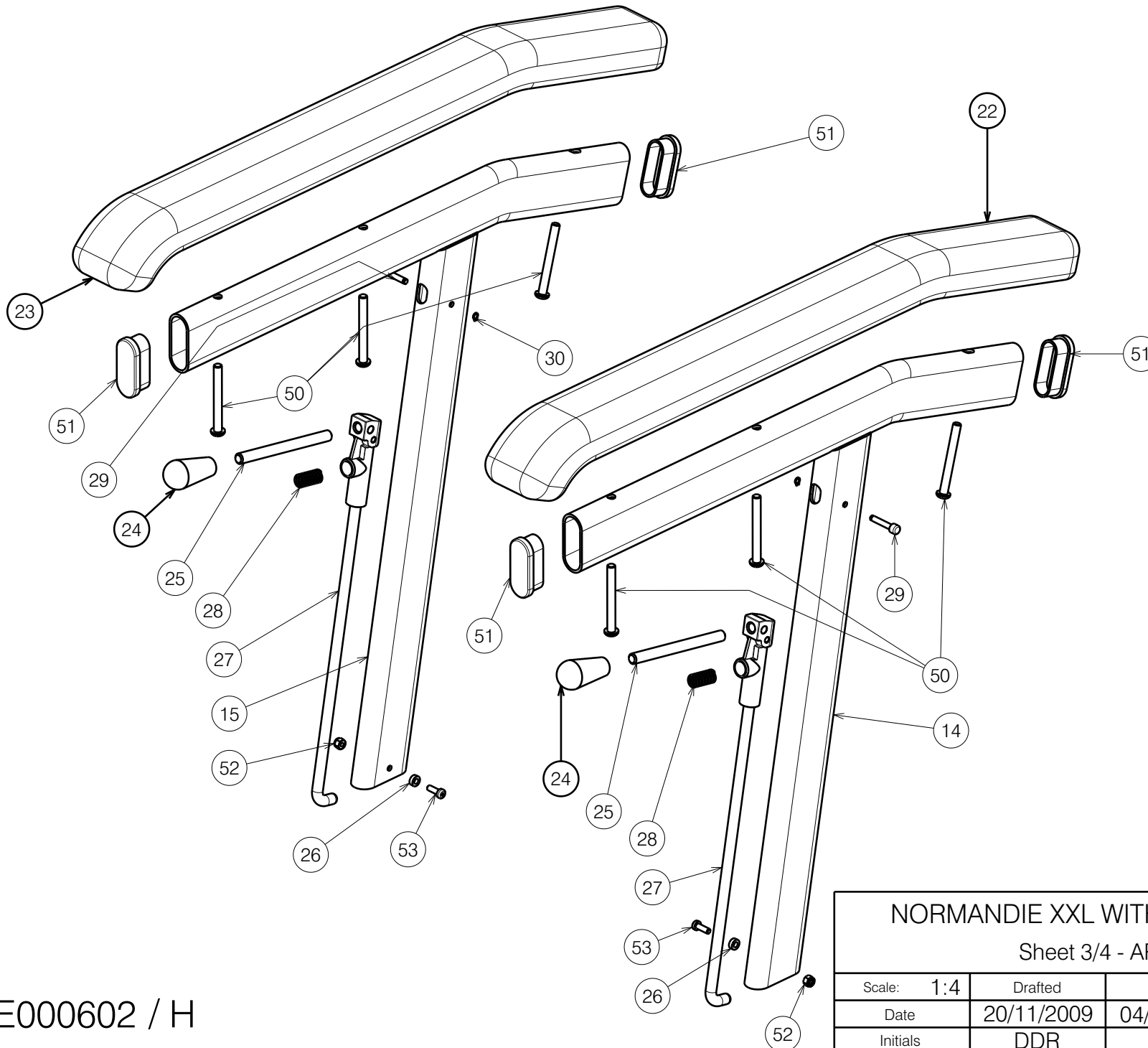
E000602 / H

NORMANDIE XXL WITHOUT WHEELS				Plan No.
Sheet 1/4 - FRAME				E000602 / H
Scale: 1:6	Drafted	Verified	Confirmed	
Date	20/11/2009	04/10/2022	04/10/2022	
Initials	DDR	PM	AZ	




E000602 / H

<b>NORMANDIE XXL WITHOUT WHEELS</b> Sheet 2/4 - FOOTREST FRAME				Plan No. E000602 / H
Scale: 1:3	Drafted	Verified	Confirmed	
Date	20/11/2009	04/10/2022	04/10/2022	
Initials	DDR	PM	AZ	



E000602 / H

<b>NORMANDIE XXL WITHOUT WHEELS</b> Sheet 3/4 - ARMRESTS				Plan No. E000602 / H
Scale: 1:4	Drafted	Verified	Confirmed	
Date	20/11/2009	04/10/2022	04/10/2022	
Initials	DDR	PM	AZ	

Bill of material

No.	Plan	Article	Quantity	No.	Plan	Article	Quantity
1	Backrest Blue	2997503	1	27	XP00208	2990139	2
	Backrest Lavender	2997504	1	28	XP00179	1824400	2
	Backrest Brown	2997505	1	29	XP00180	1824500	2
	Backrest Black	2997506	1	30	XP00297	2990125	2
	Backrest Grey	2997507	1	31	M10x25 DIN 933	1001450	2
2	Y015532	1717265	1	32	Cap D32	1001610	4
3	Y012249	1667265	2	33	M12 DIN985	1001684	2
4	Y015193	1715065	1	34	M12x100 DIN912	1993285	2
5	Y015536	1716200	1	35	M10 DIN985	1001683	18
6	Y015544	1716065	1	36	D10,5 DIN125	1001557	30
7	Y015545	1716165	1	37	M10x35 DIN 933	1003785	6
8	Y015823	1724765	2	38	Pin D8x45	1993594	1
9	Y015824	1724865	2	39	Gas Spring 850N	1009800	1
10	Y015825	1724965	4	40**	Screw D4x35	1003022	2
11	Y015826	1725065	2	41	M10x25	1992165	4
12	Y016177	1730365	1	42	Wheel D50 Black	1917917	2
13	Y016178	1730465	1	43	D6,4 DIN125A	1001564	4
14	Y016024	1725101	1	44	M6x40	1006111	2
15	Y016025	1725201	1	45	M6 DIN985	1001680	3
16	X000319	G080200	1	46	M6x12	1007000	8
17	X001296	G065155	1	47	M6 DIN934	1001670	8
18	X005930 (Black)	1916350	4	48	Screw D4x20	1991373	2
19	X004485 (Black)	1903994	2	49	M8x16 DIN912	1001498	2
20	X004645	1730500	3	50	M6x50	1006997	7
21	X002480	1993793	2	51	Cap 48x20	1990980	4
22	XP03211 (Black)	2996925	1	52	M4 DIN985	1001678	2
23	XP03212 (Black)	2996926	1	53	M4x12 DIN7985H	1900952	2
24	X001471 (Black)	1001143	2				
25	XP00176	1824100	2				
26	XP00192	1826100	2				

\* Not Depicted

\*\* Not mounted, delivered separately

NORMANDIE XXL WITHOUT WHEELS

Plan No.

Sheet 4/4 - BILL OF MATERIAL

E000602 / H

Scale: ---

Drafted

Verified

Confirmed

Date

20/11/2009

04/10/2022

04/10/2022

Initials

DDR

PM

AZ



E000602 / H