


Option B

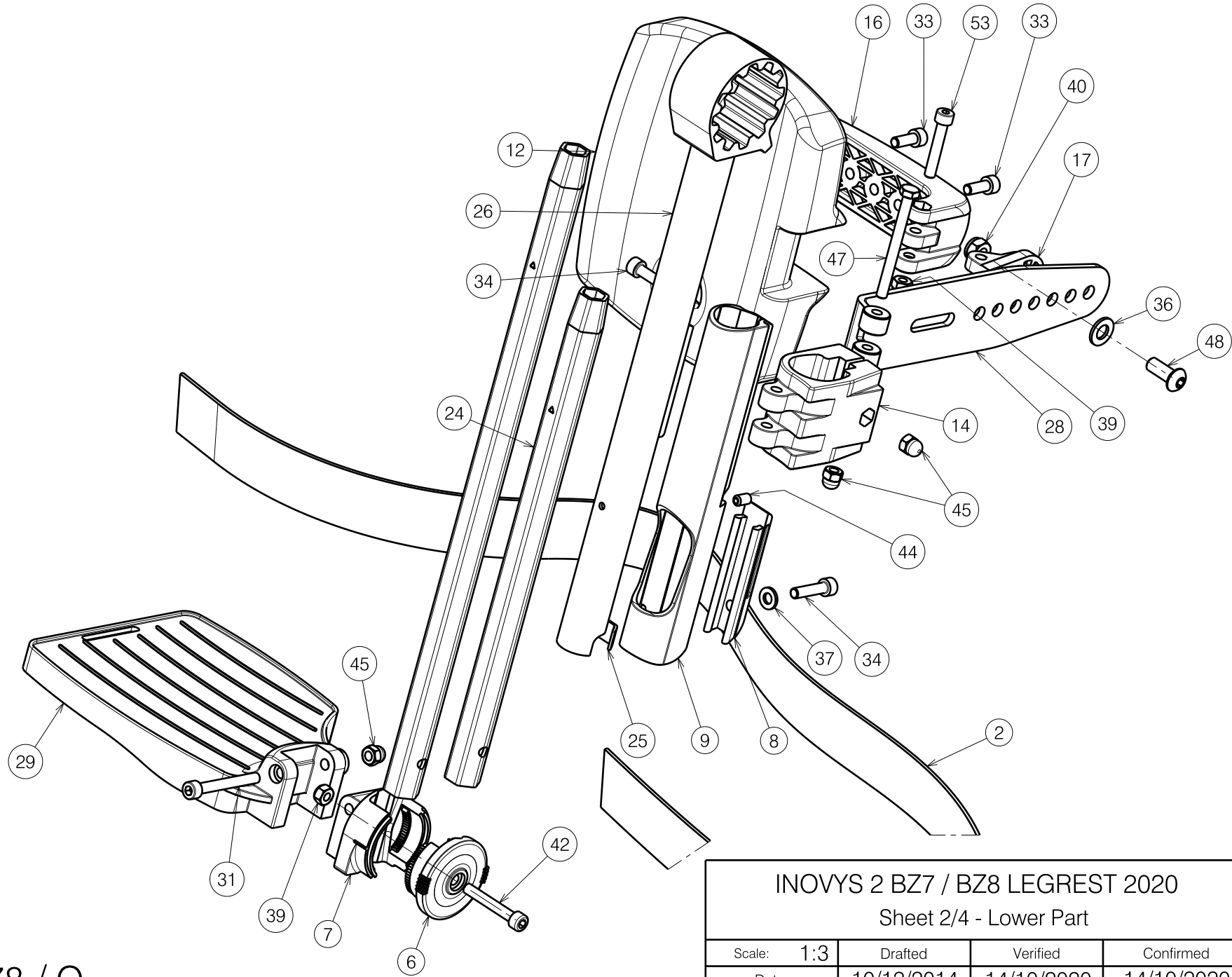
Option A

Use as lock nut  
against 21

G Add glue Weicon  
AN302-43 (H900009)

E000978 / O

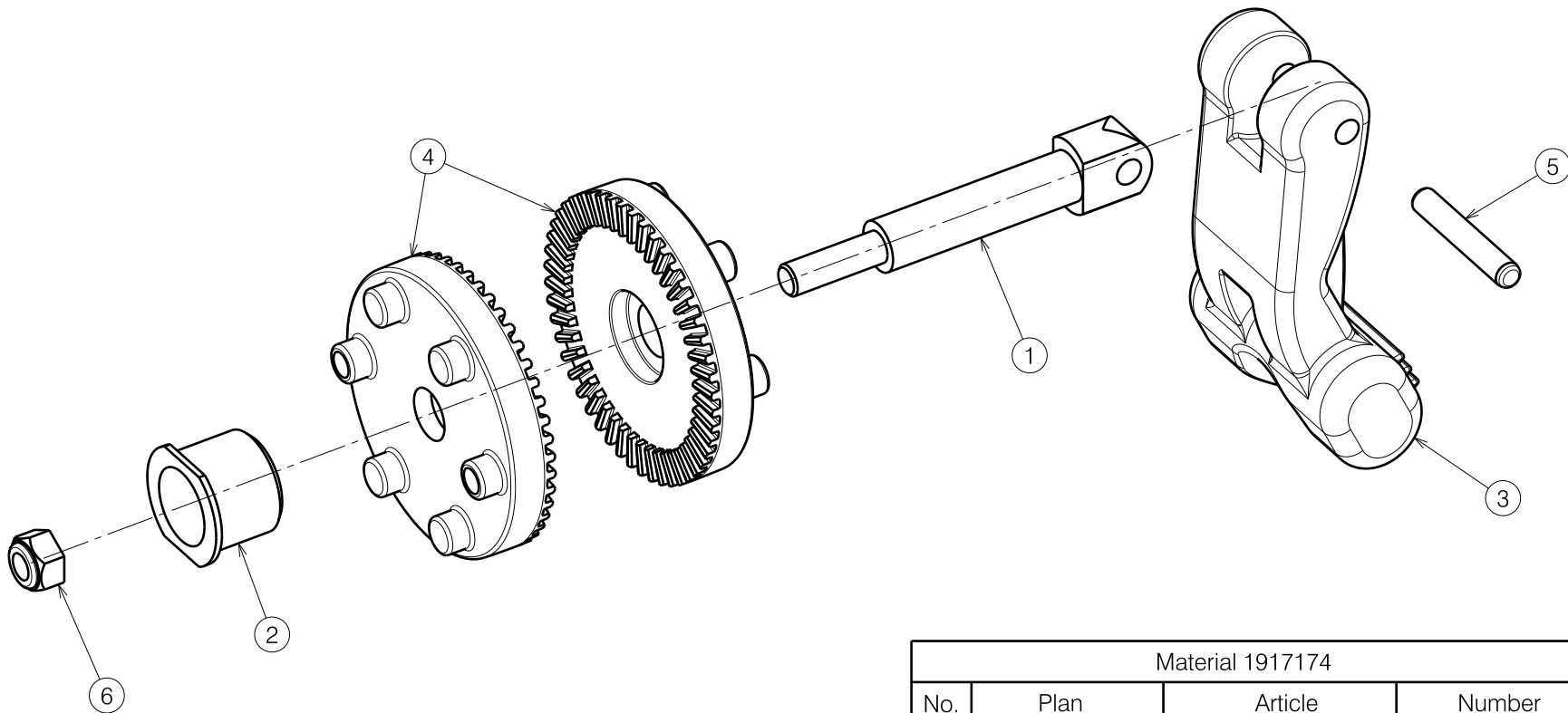
INOVYS 2 BZ7 / BZ8 LEGREST 2020 Sheet 1/4 - Upper Part				Plan No. E000978/O
Scale: 1:3	Drafted	Verified	Confirmed	
Date	10/12/2014	14/10/2020	14/10/2020	
Initials	SD	SD	PJ	



E000978 / O

<p>INOVYS 2 BZ7 / BZ8 LEGREST 2020</p> <p>Sheet 2/4 - Lower Part</p>				<p>Plan No.</p> <p>E000978/O</p>
Scale:	1:3	Drafted	Verified	Confirmed
Date	10/12/2014	14/10/2020	14/10/2020	
Initials	SD	SD	PJ	





Material 1917174			
No.	Plan	Article	Number
1	X005028	G103900	1
2	X005046	G103800	1
3	X005055	1917169	1
4	X005880	1915832	2
5	G0409	G0409	1
6	1001679	1001679	1

Quantities are for one side

1917174

<b>INOVYS 2 BZ7 / BZ8 LEGREST 2020</b> Sheet 3/4 - Replacement kit				Plan No. E000978/O
Scale: 1:3	Drafted	Verified	Confirmed	
Date	10/12/2014	14/10/2020	14/10/2020	
Initials	SD	SD	PJ	

E000978 / O

Material							
No.	Plan	Article	Quantity	No.	Plan	Article	Quantity
1	X000227	1465200	2	28	Y020995	2009154	1
2	---	1905642	1	29	X004457 (40)	1904475 (L)	1
3	X002126	1992429	1		X004453 (40)	1904210 (R)	1
4	X002169	1992791	1		X004572 (45-50)	1904648 (L)	1
5	X004360	G080000	1		X004573 (45-50)	1904649 (R)	1
6	X004464	1904212	1	30	Y021063	2009654 (L)	1
7	X004465	1904213	1		Y021067	2009754 (R)	1
8	X004658	1904968	1	31	M6x50 DIN912	1007970	1
9	X004666	1905731	1	32	Ø4x24 DIN6325	G0409	1
10	X004690	1905735	1	33	M6x16 DIN912	1001492	2
11A	X004713	1905734	1	34	M6x25 DIN912	1001494	2
11B	Y021864	F007208	0.5	36	X001119	1001554	1
12	X004733	1905733	1	37	M6 DIN125	1001564	1
13	X005880	1915832	2	38	M5 DIN985	1001679	1
14	X004739	1905739	1	39	M6 DIN985	1001680	2
15	X004744	1737100	1	40	X001016	1001682	1
16	X004784	1905950	1	42	M6x40 DIN912	1003909	1
17	X004787	1905947	1	44	M6x12 DIN916	1005949	1
18	X004795	1905970	2	45	M6 DIN986	1008492	5
19	X005025	1772000	1	46	---	1906679	1
20	X005028	G103900	1	47	M6x65 DIN931	1991860	1
21	X005046	G103800	1	48	M8x20 ISO7380	1992349	1
22	X005047	1908420	1	50	M5 DIN986	1992804	1
23	X005055	1917169	1	51	M6x16 DIN7991	1994752	2
24	Y017321	F006420 (BZ7)	1	52A	M5x10 DIN7991	1999977	2
	Y016499	F006269 (BZ8)	1	52B	Ø3.9x16 DIN7982	1005767	2
25	Y016501	1733500	1	53	M6X35 DIN912	1001496	1
26	Y018568	1771754	1	54	M5 DIN125	1001550	2
27	Y020947	2008854 (L)	1				
	Y020952	2008954 (R)	1				

Option A: Knee protector PU

Option B: Knee protector V40

Option B complete

E001015 = 1912112

INOVYS 2 BZ7 / BZ8 LEGREST 2020

Sheet 4/4 - BOM

Plan No.

E000978/O

Scale: 1:3

Drafted

Verified

Confirmed

Date

10/12/2014

14/10/2020

14/10/2020

Initials

SD

SD

PJ



E000978 / O