

Material				
No.	Article	M	L	XL
1	2991014	0,13	0,17	0,24
2	1009517	4,6	4,6	4,6
3	1009512	12	12	12
4	1009508	6	6	6
5	2990337	0,001	0,001	0,001
6	2991191	2	2	2
7	2991886	2,5	3	3,5

	Sizes [cm]					Article	
	A	B	C	D	E	FR	BK
M	30.5	18	20.5	4	9	2991242	2991239
L	38	21.5	23	6	10	2991243	2991240
XL	46	25.5	27	6	10	2991244	2991241

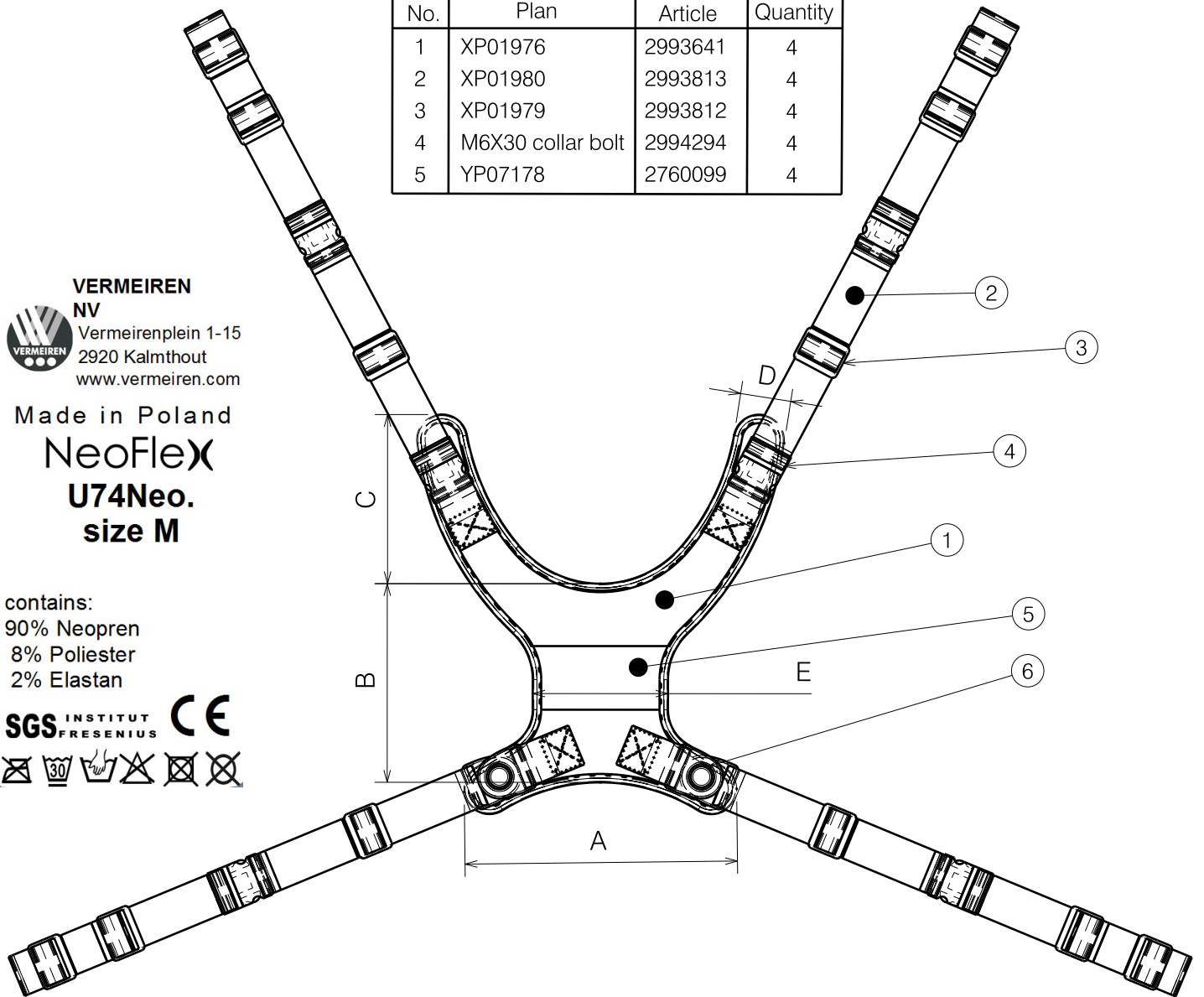
Mounting			
No.	Plan	Article	Quantity
1	XP01976	2993641	4
2	XP01980	2993813	4
3	XP01979	2993812	4
4	M6X30 collar bolt	2994294	4
5	YP07178	2760099	4

VERMEIREN
NV
 Vermeirenplein 1-15
 2920 Kalmthout
 www.vermeiren.com

Made in Poland
NeoFlex
U74Neo.
 size M

contains:
 90% Neopren
 8% Poliester
 2% Elastan

SGS INSTITUT
 FRESSENIUS **CE**



EP00340 / B

NEO U74N NEOFLEX STABILIZATION VEST				Plan No. EP00340 / B
Scale: N/A	Drafted	Verified	Confirmed	
Date	31/07/2018	04/03/2019	04/03/2019	
Initials	FD	AS	TK	