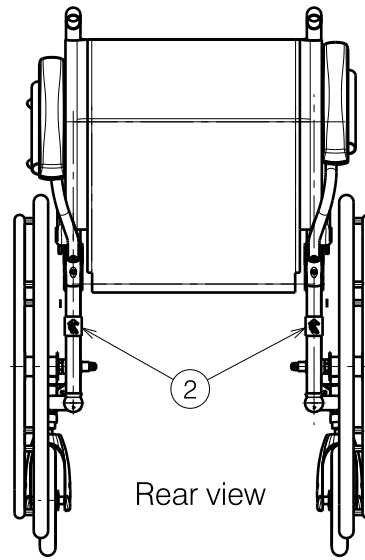
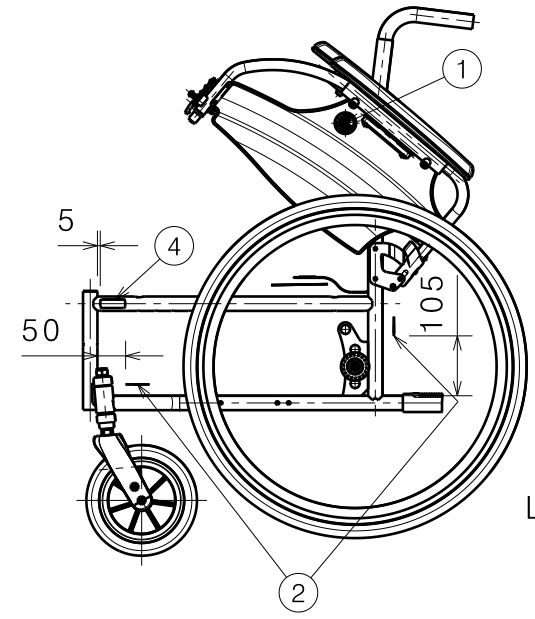


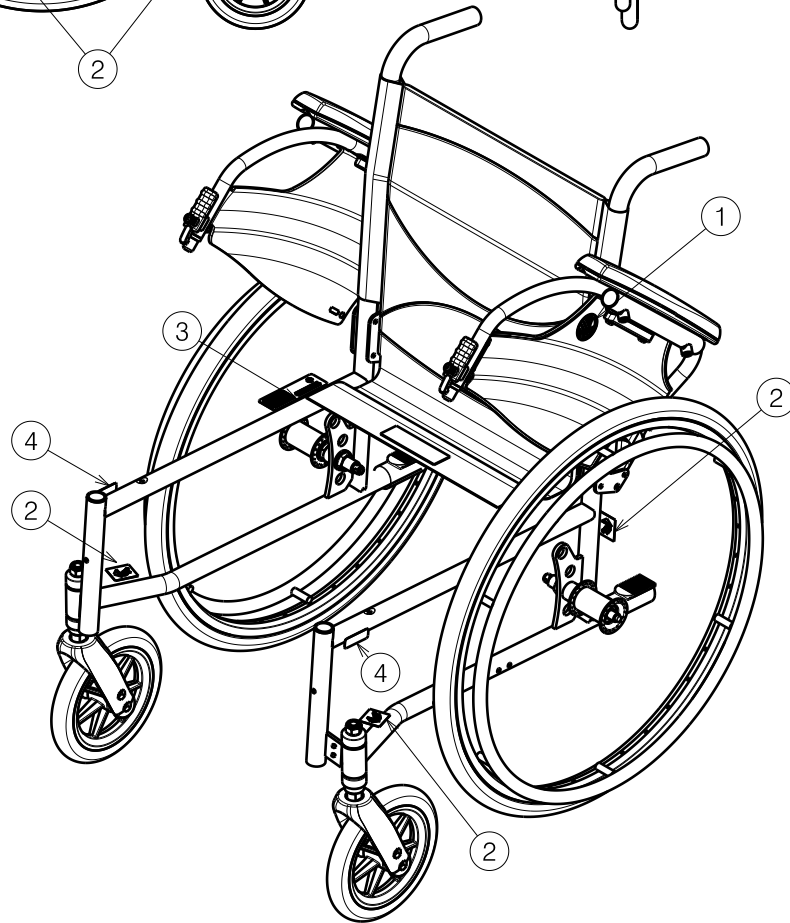
Right view






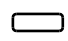
Rear view




Left view



E000667 / C

No.	Title	Art. nr.	Sticker	Quantity
1	Sticker Ø35 logo Vermeiren	T001002		2
2	Sticker taxi hooks	T001076		4
3	Sticker serial number	T001097		1
4	Sticker name Vermeiren V100	T001080		2

STICKER CONFIGURATION V100				Plan No.
STIKKER CONFIGURATIE V100				E000667 / C
Scale: 3:40	Drafted	Verified	Confirmed	
Date	05/11/2010	26/01/2015	26/01/2015	
Initials	TT	TT	PJ	