
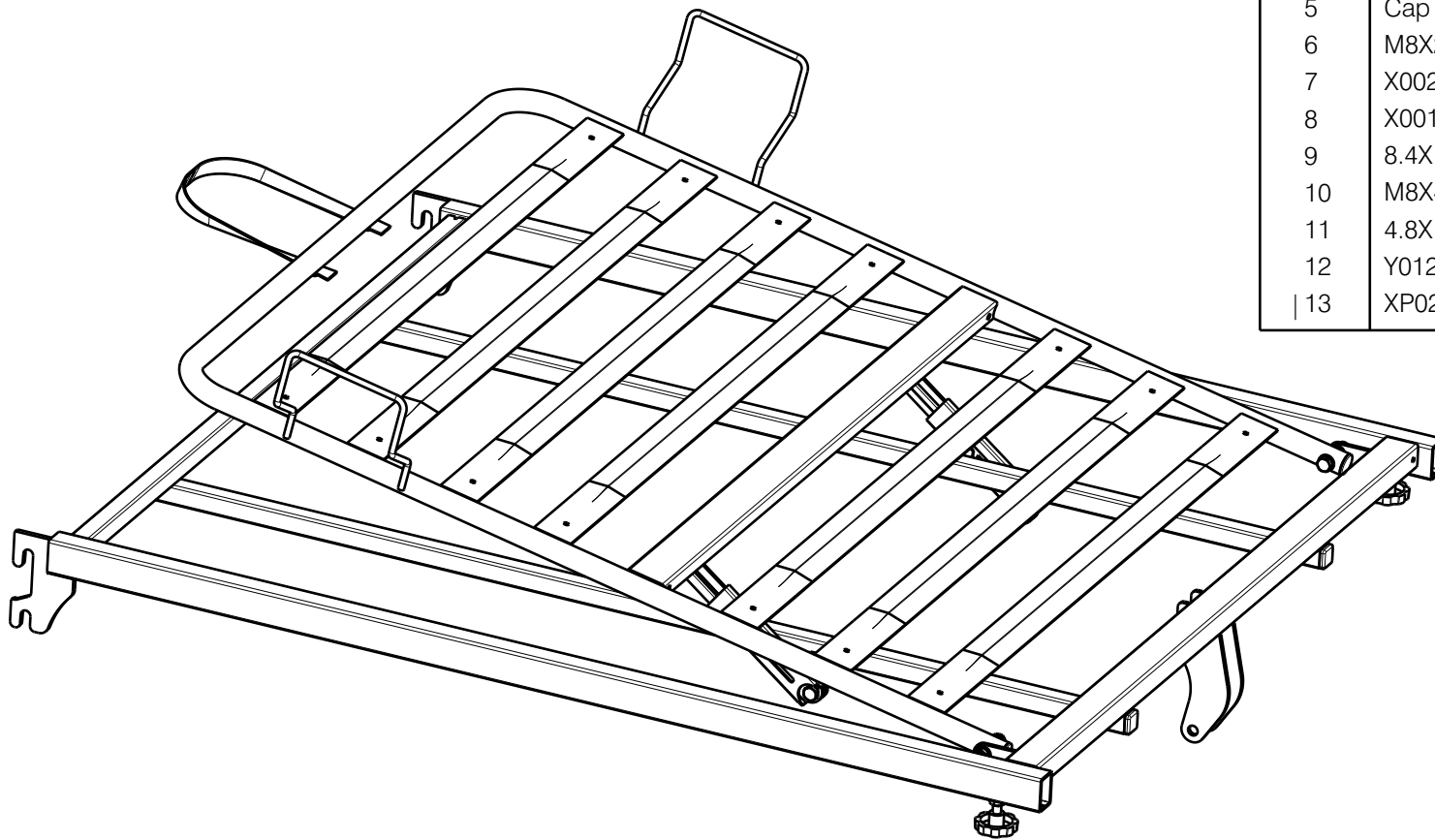



EP00212 / E

FOOT SIDE 997 (OO) (Luna 2 Luna Basic 2)				Plan No.
1/2				EP00212 / E
Scale: 1:7	Drafted	Verified	Confirmed	
Date	04/02/2016	5/10/2021	5/10/2021	
Initials	KR	DR	TK	



Material			
No.	Plan	Article	Quantity
1	YP05064 DP	2899037	1
2	YP05280	2706437	1
3	---	1994231	2
4	Starknob M8X16	2990074	2
5	Cap 20x20	1001612	4
6	M8X25 DIN 933	1001442	4
7	X002480	1993793	4
8	X001016	1001682	6
9	8.4X17X1.6	1003199	6
10	M8X40 DIN931	2993705	2
11	4.8X19 DIN7983	1001534	2
12	Y012035	H810065	1
13	XP02064	2993688	2

EP00212 / E

FOOT SIDE 997 (OO)				Plan No. EP00212 / E
(Luna 2 Luna Basic 2) 2/2				
Scale: 1:7	Drafted	Verified	Confirmed	
Date	04/02/2016	5/10/2021	5/10/2021	
Initials	KR	DR	TK	