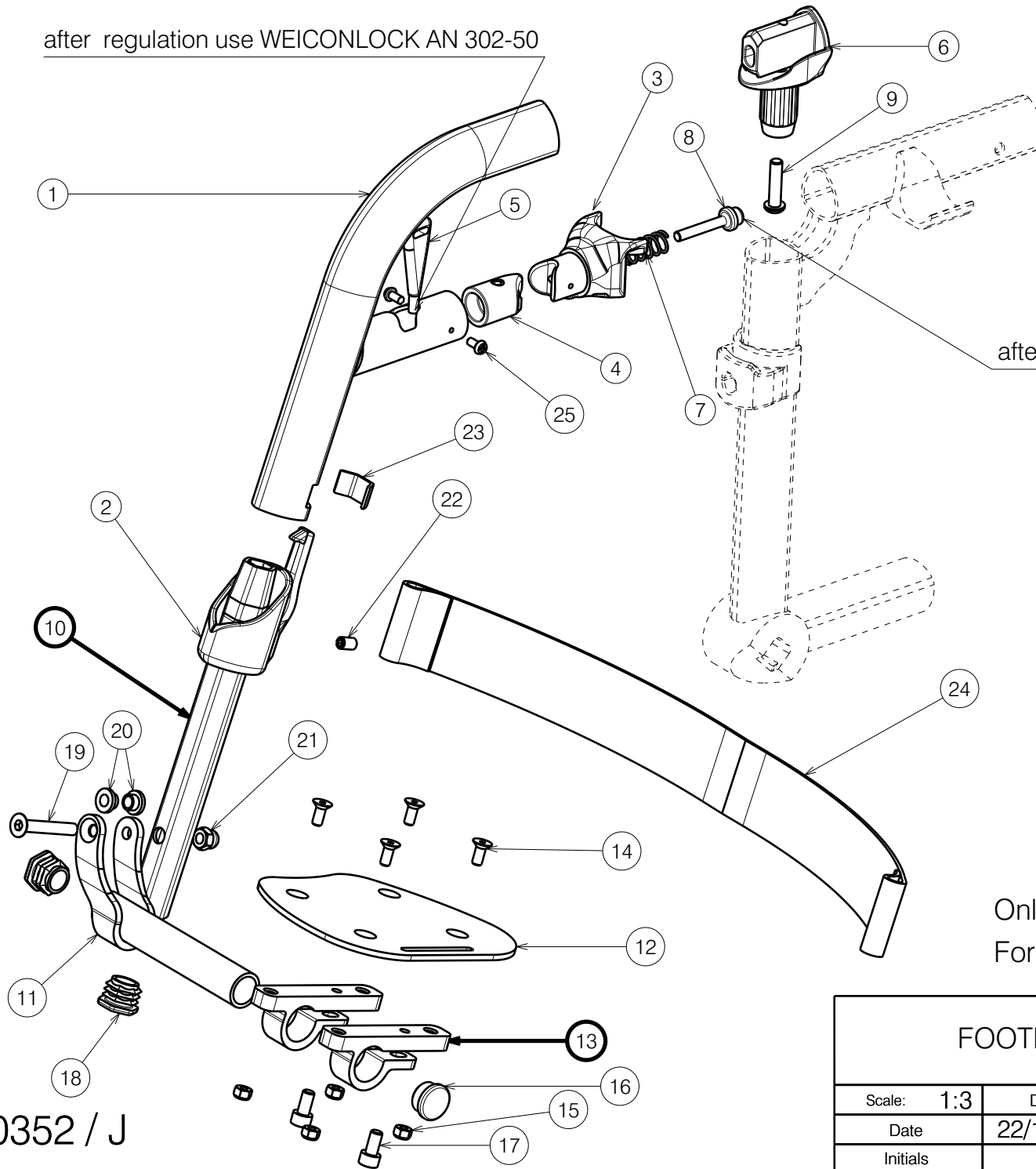


after regulation use WEICONLOCK AN 302-50

after regulation use WEICONLOCK AN 302-50



Only to a depth of 32-36 .

For depths of 38-50 use EP00250

EP00352 / J

FOOTREST B06 TRIGO 30-36				Plan No.
Page 1/2				EP00352/ J
Scale: 1:3	Drafted	Verified	Confirmed	
Date	22/10/2018	10/08/2023	10/08/2023	
Initials	PM	PM	AS	

Material			
No.	Plan	Article	Quantity
1	YP06178	27291... (70)	1
	YP06291	27998... (80)	1
	YP06182	27292... (90)	1
2	XP01542	2993471	1
3	XP01546	2993452	1
4	XP01565	2993472	1
5	XP02030	GP14499	1
6	XP01512	2993454	1
7	XP01628	GP09100	1
8	XP01523	GP08000	1
9	M6x25	2994062	1
10	YP06246 (Short)	2796026	1
	YP09022 (Long)	2631626	1
11	YP06229 (R)	2796365 (30-32)	1
	YP06126 (L)	2729965 (30-32)	1
	YP06254 (R)	2796665 (34-36)	1
	YP06893 (L)	2765665 (34-36)	1
12	YP06231 (R)	2796454 (30-32)	1
	YP06232 (L)	2796554 (30-32)	1
	YP06256 (R)	2796754 (34-36)	1
	YP06257 (L)	2796854 (34-36)	1
13	XP01504	GP07699	2
14	M5x12 DIN7991	2994076	4
15	Nut M5	2994006	4
16	Tube Cap Ø19	1001602	1
17	M6x12 DIN912	2994005	2
18	X004774	1906056	2
19	M6x40 DIN7991	2994123	1
20	XP01127	2990164	2
21	Closed Nut M6	2994059	1
22	M6x12 DIN916	1005949	1
23	Y016501	1733500	1
24	Belt	2994200	1
25	M3.5x9.5	2994075	2

Only to a depth of 32-36 .

For depths of 38-50 use EP00250

EP00352 / J

FOOTREST B06 TRIGO 30-36				Plan No.
Page 2/2				EP00352/ J
Scale: 1:3	Drafted	Verified	Confirmed	
Date	22/10/2018	10/08/2023	10/08/2023	
Initials	PM	PM	AS	