


*35	P00062778	1920299	1	5	XC00690	3993129	1
*36	XC00682	3992908	1	6	XC00691	3993128	1
*37	XP00113	GP00900	1	7	XC00216	3994014	1
**38	XC00215	3994015	PU BACK	8	---	3992894	2
**39	XC00214	3994016	PU SEAT	10	YC00338	1C153	1
**40	XC00229	3994001	GEL SEAT	12	---	3992301	8
41	---	3993295	2	13	---	3992887	4
42	---	3994719	2	14	---	3992890	2

* Mean not indicated
 ** Mean Options

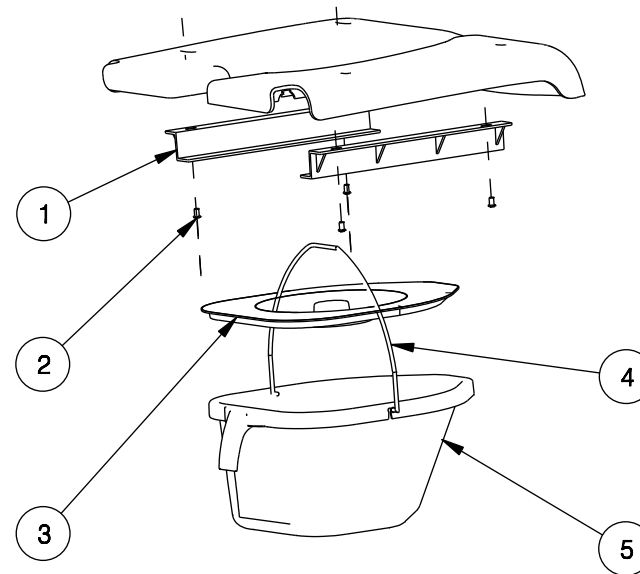
Material			
No.	Plan	Article	Number
1	YC00337	1C150	1
2	XC00217	3994013	1
3	YC00339	1C151	1
4	YC00340	1C152	1
5	XC00690	3993129	1
6	XC00691	3993128	1
7	XC00216	3994014	1
8	---	3992894	2
10	YC00338	1C153	1
12	---	3992301	8
13	---	3992887	4
14	---	3992890	2
15	---	3992956	4
16	---	3992218	2
17	XC00180	1C79071	2
18	XC00181	1C79171	2
19	X000185	G000790	2
20	X005828	1905244	2
21	X002437	1992699	2
22	---	1906205	2
23	---	3992956	2
24	---	3991119	2
25	---	1915214	2
26	EC00458	3992945	1
27	---	3992946	1
28	XC00226	3994004	1
29	XC00227	3994003	1
30	YC00350	1C255	1
31	XC00228	3994002	1
32	XC00235	3993177	2
33	---	1001583	4
34	---	3993294	1

EC00429/H


PLUO 24"WHEEL				SHEET 2/2	Plan No. EC00429/H
Scale:1:10	Drafted	Verified	Confirmed		
Date	30/05/2019	14/08/2023	14/08/2023		
Init.	NY	FZY	JJQ		

PLUO With RS3 Version			
No.	Plan	Article	Quantity
1	XC00225	3994005	2
2	---	3991735	4
3	XC00682	3992908	1
4	XP00113	GP00900	1
5	P00062778	1920299	1

RS3 Version



EC00429/H

PLUO 24"WHEEL				Plan No.
				EC00429/H
SHEET 1/2				
Scale: 3:50	Drafted	Verified	Confirmed	
Date	29/10/2019	14/08/2023	14/08/2023	
Initials	AL	FZY	JJQ	