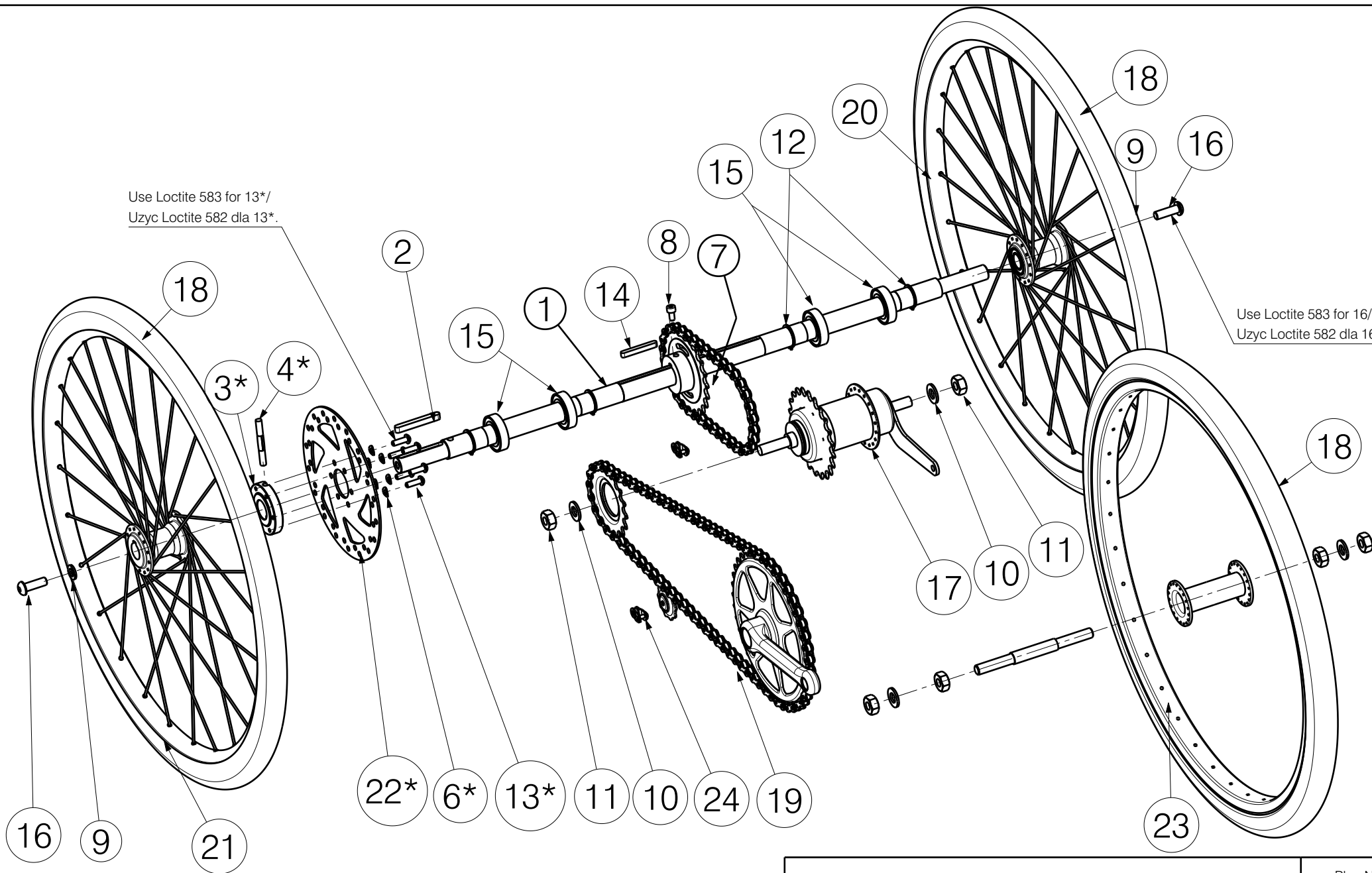



Use Loctite 583 for 13\*/  
 Uzyc Loctite 582 dla 13\*.

Use Loctite 583 for 16/  
 Uzyc Loctite 582 dla 16.



EP00160 / H

DRIVING GEAR WITH TORPEDO   2217				Plan No.
PAGE 1/2				EP00160/ H
Scale: 1:5	Drafted	Verified	Confirmed	
Date	09/05/2014	22/05/2023	22/05/2023	
Initials	BS	AZ	TK	

Material			
No.	Plan	Article	Quantity
1	XP02361	GP17000	1
2	6x6x50 DIN 6885A	GP19000	1
3*	XP02365	GP17200	1
4*	XP03236	2631200	1
5**	---	1001281	3
6*	X002282	1992854	6
7	YP03014	2822000	1
8	M5x10	1001488	1
9	M8 DIN125 B	1001556	2
10	M10 DIN125-1A	1001558	2
11	M10 DIN 934	1001672	2
12	D20 DIN471	1995259	4
13*	M5x16	1006112	6
14	5x5x40 DIN 6885A	1940800	1
15	---	1994568	4
16	M8x25	1990501	2
17	Torpedo with gear T22	B000015	1
18	---	1009736	3
19	Chain	2993196	1,56 [m]
20	Wheel20" L	2994424	1
21	Wheel20" R	2994423	1
22*	D 160mm	2992382	1
23	Front Wheel 20"	2991678	1
24	XP01283	2992321	2

EP00160 / H

\* option/opcja

\*\* not depicted/nie ujęto

DRIVING GEAR WITH TORPEDO   2217				Plan No.
PAGE 2/2				EP00160/ H
Scale: 1:5	Drafted	Verified	Confirmed	
Date	09/05/2014	22/05/2023	22/05/2023	
Initials	BS	AZ	TK	